

MSUD VALVE PLUG FORM A 18MM , 2P.

PVC 2x0,5 shielded GRAY, 5m

MSUD

Form A (18 mm)

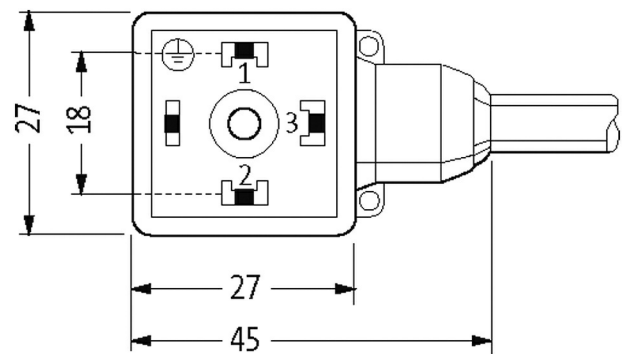
0...230 V AC/DC

without components

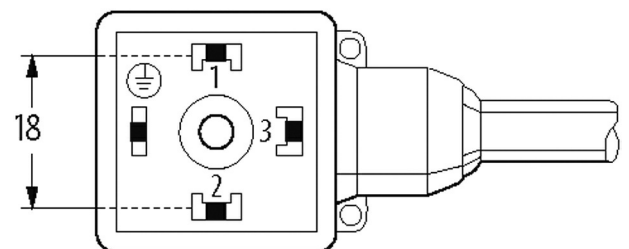
Further cable lengths on request.

Plastic housings with good resistance against chemicals and oils.

The resistance to aggressive media should be individually tested for your application. Further details on request.

Illustration

Height: 30 mm



Product may differ from Image

Approvals

**Form**

Form 18085

Cables

Cable number	416
No./diameter of wires	2× 0.5 mm ²
Wire isolation	PVC (br, wh)
Jacket Color	gray
Material (jacket)	PVC
Outer Ø	5.9 mm ±5%
Bend radius (moving)	15× outer Ø
Temperature range (fixed)	-30...+80 °C
Temperature range (mobile)	-5...+80 °C
Cable identification	416
Approval (cable)	CE conform
Cable weight [g/m]	46,20
Material (wire)	Cu wire, bare
Resistor (core)	max. 39 Ω/km (20 °C)
Single wire Ø (core)	0.2 mm
Construction (core)	16× 0.2 mm (multi-strand wire class 5)
Diameter (core)	2× 0.5 mm ²
AWG	similar to AWG 20
Material (wire isolation)	PVC
Color/numbering of wires	br, wh
Shield	yes
	min. 85%
Material (jacket)	PVC
Outer-Ø (jacket)	5.9 mm ±5%
Color (jacket)	gray
Nominal voltage	500 V AC
Test voltage	1500 V AC
Temperature range (fixed)	-30...+80 °C
Temperature range (mobile)	-5...+80 °C
Bend radius (moving)	15× outer Ø

Technical Data

Operating voltage	max. 230 V AC/DC
Operating current per contact	max. 4 A
Locking of ports	M3 (recommended torque 0.4 Nm)
Housing	Black plastic (gray on request)
Protection	IP66K, IP67 inserted and tightened (EN 60529)

General data

Temperature range	-25...+85 °C, depending on cable quality
-------------------	--

Commercial data

country of origin	CZ
customs tariff number	85444290
EAN	4048879191418

eClass 27279218

Packaging unit 1